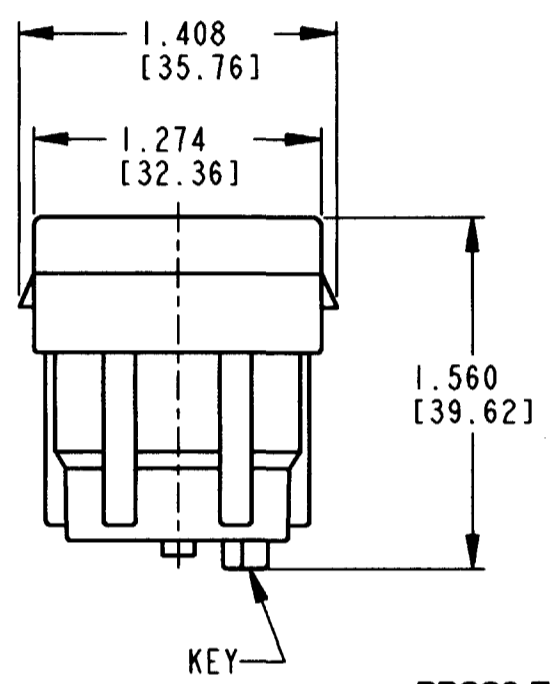


- SEE KEY ORIENTATION
5. RECOMMENDED RETAINING BOLT TORQUE: 25-28 IN-LB [2.82-3.16NM]
  4. THIS CONNECTOR WILL ACCOMMODATE THE FOLLOWING:
- | CONTACT SIZE | MIN. O.D.    | MAX. O.D.    | WIRE GAUGE RANGE REF ONLY             |
|--------------|--------------|--------------|---------------------------------------|
| 20           | .040 [1.016] | .095 [2.413] | 16 THRU 20 [1.00-.50mm <sup>2</sup> ] |
3. PLUG IS SUPPLIED WITH DUST CAP. (NOT SHOWN)
  2. DIMENSION TOLERANCE: ±.025 [.64]
- NOTES: 1. DIMENSIONS ARE IN INCHES [mm].

REV A	DRC26-50S**	REVISIONS		
SYM	DESCRIPTION	DATE	APPROVED	
NC	NEW RELEASE PER E.O. A14643	12/5/94	RDR	
A	REVISED PER E.O. P16752	7-20-00	RDR	



DRC26-50S01	DRC26-50S02	DRC26-50S03	
01	02	03	
DRC26-50S04	DRC26-50S05	DRC26-50S06	
04	05	06	
DRC26-50S07	DRC26-50S08	DRC26-50S09	DRC26-50S10
07	08	09	10

8. MATERIAL: HOUSING: PLASTIC (BLACK); BOLT: STAINLESS STEEL; CLIP: STEEL.
7. THIS PLUG MATES WITH 09D41107L01 THRU 10-\*\*\*\* AND DRC20-50P01 THRU 10 -\*\*\*\* RECEPTACLE. (\*\*\*\* = ALL MODIFICATIONS)
6. FOR CONTACT AND WIRE PERFORMANCE AND APPLICATION CHARACTERISTICS SEE ENVELOPE DRAWING 0425-015-0000.

SIGNATURE & DATE		PLUG 50 CONTACTS, SIZE 20 DRC SERIES	CP EP019	MATL. CODE
DR	V. TOMSA 10/11/94		The Deutsch Company DEUTSCH I.P.D. 3850 INDUSTRIAL AVE. HEMET, CALIF. 92545	
CHK	D. Meyer 7/20/00	ENVELOPE	B	DRC26-50S**
PE	D. Meyer 7/20/00			DWG SIZE
APPD	R. Reed 7-20-00			
SCALE	NONE	WT		